

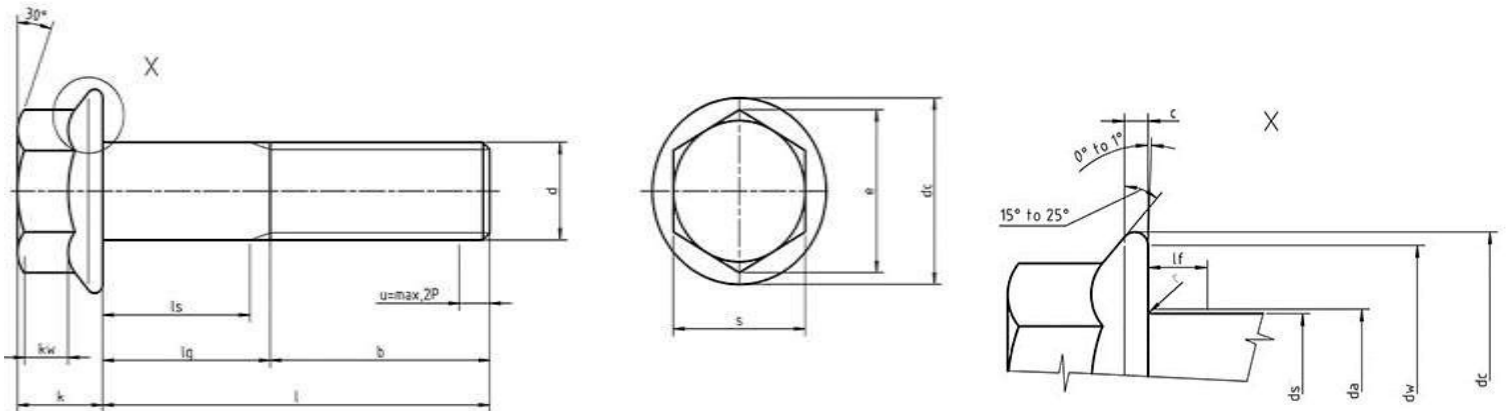
All your fastener needs from a single source

Product Dimensions and Weights

DIN 6921 Technical Specifications

Metric DIN 6921 Hexagon Flange Bolts

Visit our [online store](#) for product availability



Dimensions of Metric DIN 6921 Hexagon Flange Bolts

Thread		M5	M6	M8	M10	M12	(M14)	M16	M20
size d		-	-	M8 x 1	M10 x 1.25	M12 x 1.5	(M14x1.5)	M16 x 1.5	M20 x 1.5
		-	-	-	(M10 x 1)	(M10 x 1.25)	-	-	-
P		0.8	1	1.25	1.5	1.75	2	2	2.5
C	Min.	1	1.1	1.2	1.5	1.8	2.1	2.4	3
	Max.	5.75	6.75	8.75	10.8	13	15.1	17.3	21.6
da	Min.	5	6	8	10	12	14	16	20
	Max.	5.75	6.75	8.75	10.8	13	15.1	17.3	21.6
dc	Max.	11.8	14.2	17.9	21.8	26	29.9	34.5	42.8
dw	Min.	9.8	12.2	15.8	19.6	23.8	27.6	31.9	39.9
	Max.	9.8	12.2	15.8	19.6	23.8	27.6	31.9	39.9
e	Min.	8.79	11.05	14.38	16.64	20.03	23.36	26.75	32.95
h	Max.	6.2	7.3	9.4	11.4	13.8	15.9	18.3	22.4
m	Min.	4.7	5.7	7.6	9.6	11.6	13.3	15.3	18.9
m'	Min.	2.2	3.1	4.5	5.5	6.7	7.8	9	11.1
s	Nominal size = max.	8	10	13	15	18	21	24	30
	Min.	7.78	9.78	12.73	14.73	17.73	20.67	23.67	29.16
r	Max.	0.3	0.36	0.48	0.6	0.72	0.88	0.96	1.2

Superpart Fasteners: No, 11 Noorkami St., South Kargarh Ave, North of Qazvin Sq, Tehran , Iran
www.superpart.com | sales@superpart.com | 98-21-55406944,45

Headquarters: Independence OH USA; Montreal QC Canada;
 Distribution Centers: Boston MA; Chicago IL; Cincinnati KY; Dallas TX; Denver CO; Houston TX; Jersey City NJ; Los Angeles CA; Miami FL;
 San Francisco CA; Seattle WA; Washington VA; Toronto ON; Calgary AB; Vancouver BC; Jiutepec (Temixco); Mexico City; Monterrey

All your fastener needs from a single source

Shank Lengths of Metric DIN 6921 Hexagon Flange Bolts

Thread d			M5	M6	M8	M10	M12	M14	M16	M 20								
			-	-	M8 x 1	M10 x 1,25	M12 x 1,5	M14 x 1,5	M16 x 1,5	M20 x 1,5								
			-	-	-	(M10 x 1)	(M12 x 1,25)	-	-	-								
l			Shank lengths															
size	min.	max.	ls min.	lg max	ls min.	lg max	ls min.	lg max	ls min.	lg max	ls min.	lg max	ls min.	lg max	ls min.	lg max	ls min.	lg max
10	9.71	10.29	-	2.4														
12	11.65	12.35	-	2.4	-	3												
16	15.65	16.35	-	2.4	-	3	-	4										
20	19.58	20.42	-	4	-	3	-	4	-	4.5								
25	24.58	25.42	5	9	2	7	-	4	-	4.5	-	5.3						
30	29.58	30.42	10	14	7	12	-	8	-	4.5	-	5.3	-	6				
35	34.5	35.5	15	19	12	17	6.75	13	-	9	-	5.3	-	6	-	6		
40	39.5	40.5	20	24	17	22	11.75	18	6.5	14	-	10	-	6	-	6	-	7.5
45	44.5	45.5	25	29	22	27	16.75	23	11.5	19	6.25	15	-	11	-	6	-	7.5
50	49.5	50.5	30	34	27	32	21.75	28	16.5	24	11.25	20	6	16	-	12	-	7.5
55	54.4	55.6			32	37	26.75	33	21.5	29	16.25	25	11	21	7	17	-	9
60	59.4	60.6			37	42	31.75	38	26.5	34	21.25	30	16	26	12	22	-	14
65	64.4	65.5					36.75	43	31.5	39	26.25	35	21	31	17	27	6.5	19
70	69.4	70.6					41.75	48	36.5	44	31.25	40	26	36	22	32	11.5	24
80	79.4	80.6					51.75	58	46.5	54	41.25	50	36	46	32	42	21.5	34
90	89.3	90.7							56.5	64	51.25	60	46	56	42	52	31.5	44
100	99.3	100.7							66.5	74	61.25	70	56	66	52	62	41.5	54
110	109.3	110.7									71.25	80	66	76	62	72	51.5	54
120	119.3	120.7									81.25	90	76	86	72	82	61.5	74
130	129.2	130.8											80	90	76	86	65.5	78
140	139.2	140.8											90	100	86	96	75.5	88
150	149.2	150.8													96	106	85.5	98
160	159.2	160.8													106	116	95.5	108
180	179.2	180.8															115.5	128
200	199	201															135.5	148

Metric DIN 6921 Hexagon Flange Bolts are machine threaded bolts that have a circular washer like flange under the head that increases the bearing surface to distribute the load when the bolt is fastened to the substrate. DIN 6921 Hexagon Flange Bolts are available with and without serrations. SuperPart Fasteners offers the following sizes for immediate delivery from stock: Diameters ranging from M5 to M12 and up to 150mm long and available in A2 and marine grade A4 stainless steel. View available parts by clicking on the following link: [DIN 6921 Hexagon Flange Bolts](#)

Superpart Fasteners: No, 11 Noorkami St., South Kargar Ave, North of Qazvin Sq, Tehran , Iran
www.superpart.com | sales@superpart.com | 98-21-55406944,45

Headquarters: Independence OH USA; Montreal QC Canada;
 Distribution Centers: Boston MA; Chicago IL; Cincinnati KY; Dallas TX; Denver CO; Houston TX; Jersey City NJ; Los Angeles CA; Miami FL;
 San Francisco CA; Seattle WA; Washington VA; Toronto ON; Calgary AB; Vancouver BC; Jiutepec (Temixco); Mexico City; Monterrey

All your fastener needs from a single source

DIN (**D**eutsches **I**nstitut für **N**ormung - German Institute for Standardization) standards are issued for a variety of components including industrial fasteners as DIN 6921 Hexagon Flange Bolts . The DIN standards remain common in Germany, Europe and globally even though the transition to ISO standards is taking place. DIN standards continue to be used for parts which do not have ISO equivalents or for which there is no need for standardization.

1) Mechanical properties of stainless steel for metric DIN 6921 Hexagon Flange Bolts

Stainless steels can be divided into three groups of steel - austenitic, ferritic and martensitic. Austenitic steel is by far the most common type (>90% of commercial fasteners). The steel groups and strength classes are designated by a four-digit sequence of letters and numbers (eg A2-70) as shown in the following table. DIN EN ISO 3506 governs screws and nuts made from stainless steel.

Steel group	Steel grade	Strength class	Screws, Nuts and Bolts			
			Tensile strength N/mm ²	Tensile strength PSI	Dia range	Nut Load N/mm ²
Austenitic	A2 and A4	50	500	70,000	<=M39	500
		70	700	100,000	<=M20	700
		80	800	118,000	<=M20	800

The tensile stress is calculated with reference to the tensile stress area (see DIN EN ISO 3506-1979). Nuts to be paired with same grade of stainless steel screws

Steel group	Property Strength class	Made From	Characteristics
Austenitic	50	A1, A2	Soft; cold worked, turned and soft pressed fasteners
	70	A2, A4	Cold worked, normal strength formed fasteners
	80	A2, A4	Extreme cold worked, high strength, special applications fasteners

fasteners fasteners
 70,000
 <=M39
 500
 500

Superpart Fasteners: No, 11 Noorkami St., South Kargarh Ave, North of Qazvin Sq, Tehran , Iran
www.superpart.com | sales@superpart.com | 98-21-55406944,45

Headquarters: Independence OH USA; Montreal QC Canada;
 Distribution Centers: Boston MA; Chicago IL; Cincinnati KY; Dallas TX; Denver CO; Houston TX; Jersey City NJ; Los Angeles CA; Miami FL;
 San Francisco CA; Seattle WA; Washington VA; Toronto ON; Calgary AB; Vancouver BC; Jiutepec (Temixco); Mexico City; Monterrey

All your fastener needs from a single source

2) Chemical composition of stainless steel metric DIN 6921 Hexagon Flange Bolts

Grade	USA Grade	Material designation	Material no.	C %	Si ≤ %	Mn ≤ %	Cr %	Mo %	Ni %
A 2	304	X 5Cr Ni 1810	1.4301	≤ 0.07	1.0	2.0	17.5 to 19.5	-	8.0 to 10.5
		X 2 Cr Ni 1811	1.4306	≤ 0.03	1.0	2.0	18.0 to 20.0	-	10 to 12.0
		X 8 Cr Ni 19/10	1.4303	≤ 0.07	1.0	2.0	17.0 to 19.0	-	11.0 to 13.0
A 4	316	X 5 Cr Ni Mo 1712	1.4401	≤ 0.07	1.0	2.0	16.5 to 18.5	2.0 to 2.5	10.0 to 13.0
		X 2 Cr Ni Mo 1712	1.4404	≤ 0.03	1.0	2.0	16.5 to 18.5	2.0 to 2.5	10 to 13

3) Chemical composition of steel metric DIN 6921 Hexagon Flange Bolts

PROPERTY CLASS	MATERIAL AND TREATMENT	CHEMICAL COMPOSITION LIMITS %				TEMPERING TEMP °C MIN.
		C		P	S	
		min.	max.	max.	max.	
4.6, 4.8, 5.8, 6.8	Low or medium carbon steel	-	0.55	0.05	0.06	-
8.8	Medium carbon steel quenched, tempered	0.25	0.55	0.04	0.05	425
9.8	Medium carbon steel quenched, tempered	0.25	0.55	0.04	0.05	425
10.9	Medium carbon steel additives e.g. boron, Mn, Cr or Alloy steel - quenched, tempered	0.20	0.55	0.04	0.05	425
12.9	Alloy steel - quenched, tempered	0.20	0.50	0.035	0.035	380

Superpart Fasteners: No, 11 Noorkami St., South Kargar Ave, North of Qazvin Sq, Tehran , Iran
www.superpart.com | sales@superpart.com | 98-21-55406944,45

Headquarters: Independence OH USA; Montreal QC Canada;
 Distribution Centers: Boston MA; Chicago IL; Cincinnati KY; Dallas TX; Denver CO; Houston TX; Jersey City NJ; Los Angeles CA; Miami FL;
 San Francisco CA; Seattle WA; Washington VA; Toronto ON; Calgary AB; Vancouver BC; Jiutepec (Temixco); Mexico City; Monterrey

All your fastener needs from a single source

4) Mechanical properties of steel for metric DIN 6921 Hexagon Flange Bolts

MECHANICAL PROPERTY		PROPERTY CLASS								
		4.8	5.6	5.8	6.8	8.8		9.8	10.9	12.9
						Up to	Over			
Tensile Strength	nom.	400	500		600	800		900	100	1200
	min.	420	500	520	600	800	830	900	104	1220
Vickers Hardness	min.	130	155	160	190	250	255	290	320	385
	max.	250				320	336	360	380	435
Brinell Hardness	min.	124	147	152	181	319	242	266	295	353
	max.	238				385	319	342	363	412
Rockwell Hardness	min.	71	79	82	89	-				
	HRC	-	-	-	-	20	23	28	32	39
	HR	95				99	-			
	max.	-	-	-	-	32	34	37	39	44
Yield Stress Rel.	nom.	320	300	400	480	-				
	min.	340	300	420	480	-				
Stress at permanent set limit N/mm ²	nom.	-				640		720	900	1080
	min.	-				640	660	720	940	1100

Disclaimer

Dimensional data and technical information for metric DIN 6921 Hexagon Flange Bolts was obtained from publicly available sources and not acquired through standards agencies. It has been completed and compiled for reference purposes only; where discrepancies are found they are subject to change without notice. SuperPart Fasteners makes no warranties or representations regarding the accuracy and validity of the compiled information and data. Contact the relevant standards authorities for accurate and detailed information.

Superpart Fasteners: No, 11 Noorkami St., South Kargarh Ave, North of Qazvin Sq, Tehran , Iran
www.superpart.com | sales@superpart.com | 98-21-55406944,45

Headquarters: Independence OH USA; Montreal QC Canada;
 Distribution Centers: Boston MA; Chicago IL; Cincinnati KY; Dallas TX; Denver CO; Houston TX; Jersey City NJ; Los Angeles CA; Miami FL;
 San Francisco CA; Seattle WA; Washington VA; Toronto ON; Calgary AB; Vancouver BC; Jiutepec (Temixco); Mexico City; Monterrey